

Project _____
 Item _____
 Quantity _____
 FCSI section _____
 Approval _____
 Date _____

Convotherm maxx pro easyTouch

- 20.10
- 20 Shelves GN 1/1 with locking bar
- Electric
- Injection/Spritzer
- Disappearing door



Key features

- Natural Smart Climate™ (ACS+) cooking methods: Steam, Combi-steam, Convection
- Natural Smart Climate™ (ACS+) with extra functions:
 - Crisp&Tasty – 5 moisture-removal settings
 - BakePro – 5 levels of traditional baking
 - HumidityPro – 5 humidity settings
 - Controllable fan – 5 speed settings
- easyTouch 10" TFT HiRes glass touch display (capacitive)
- ConvoClean+ fully automatic cleaning system with eco, regular and express modes – with optional single-dose dispensing
- HygieniCare
- WiFi and Ethernet interface (LAN)
- USB port integrated in the control panel
- TriColor indicator ring – indicates the current operating status
- Steam generated by injecting water into the oven cavity
- LED lighting in the oven cavity
- Appliance door with double glazing
- Disappearing door with door latch: more space and greater safety at work (optionally available for an extra charge)
- Standard feet with additional bracket for screwing or welding to the supporting surface

Standard features

- Cooking methods:
 - Steam (30-130°C) with guaranteed steam saturation
 - Combi-steam (30-250 °C) with automatic moisture control
 - Convection (30-250 °C) with optimized heat transfer
- Operation of easyTouch user interface:
 - 10" TFT HiRes glass touch display (capacitive)
 - Smooth-action, quick-reacting scrolling function
 - Natural Smart Climate™ (ACS+)
- Climate Management
 - Natural Smart Climate™ (ACS+), HumidityPro, Crisp&Tasty
- Quality Management
 - Airflow Management, BakePro, Multi-point core temperature probe, Preheat and cool down function
- Production Management
 - Automatic cooking with Press&Go with up to 399 profiles
 - Integrated cookbook with 7 different categories
 - TrayTimer – load management for different products at the same time (manual mode)
 - TrayView – load management for automatic cooking of different products using Press&Go
 - Favorites management
 - HACCP data storage
 - USB port
 - ecoCooking – energy-save function
 - LT cooking (low-temperature cooking) / Delta-T cooking
 - Cook&Hold – cook and hold in one process
 - Auto Start
 - Regenerate+ – flexible multi-mode rethermalization function with preselect

Standard features

- Cleaning Management:
 - ConvoClean+: Fully automatic cleaning system
 - Quick access to individually created and saved cleaning profiles
 - Cleaning Scheduler
 - FilterCare Interface
- HygieniCare:
 - Hygienic Steam Function
 - Hygienic Handles
 - SteamDisinfect
- Design:
 - Appliance door with double glazing, safety latch, door latch and LEDs for cooking chamber lighting
 - Steam generated by injecting water into the cooking chamber
 - Adjustable appliance feet, from 100 mm to 125 mm
 - Multi-point core temperature probe
 - Integrated recoil hand shower
 - Wheel-in rails with optimal shape and colour coding
 - Appliance status floor LED (green=finished, yellow=heating up, red=fault)
 - Integral preheat bridge
 - Standard feet with additional bracket for screwing or welding to the supporting surface



Convotherm maxx pro
easyTouch

- 20.10
- 20 Shelves GN 1/1 with locking bar
- Electric
- Injection/Spritzer
- Disappearing door



Key features

- Natural Smart Climate™ (ACS+) cooking methods: Steam, Combi-steam, Convection
- Natural Smart Climate™ (ACS+) with extra functions:
 - Crisp&Tasty – 5 moisture-removal settings
 - BakePro – 5 levels of traditional baking
 - HumidityPro – 5 humidity settings
 - Controllable fan – 5 speed settings
- easyTouch 10" TFT HiRes glass touch display (capacitive)
- ConvoClean+ fully automatic cleaning system with eco, regular and express modes – with optional single-dose dispensing
- HygieneCare
- WiFi and Ethernet interface (LAN)
- USB port integrated in the control panel
- TriColor indicator ring – indicates the current operating status
- Steam generated by injecting water into the oven cavity
- LED lighting in the oven cavity
- Appliance door with double glazing
- Disappearing door with door latch: more space and greater safety at work (optionally available for an extra charge)
- Standard feet with additional bracket for screwing or welding to the supporting surface

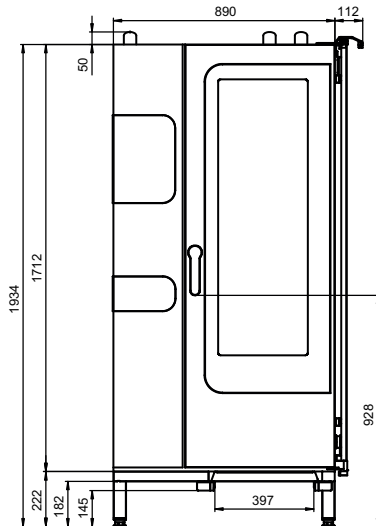
Options

- Quality Management: ConvoSmoke – built-in food-smoking function (HotSmoke)
- ConvoGrill with grease management function (on request)
- Steam and vapour removal – built-in condensation module (on request)
- Available in various voltages
- Sous-vide probe, external connection
- Core temperature probe, external connection

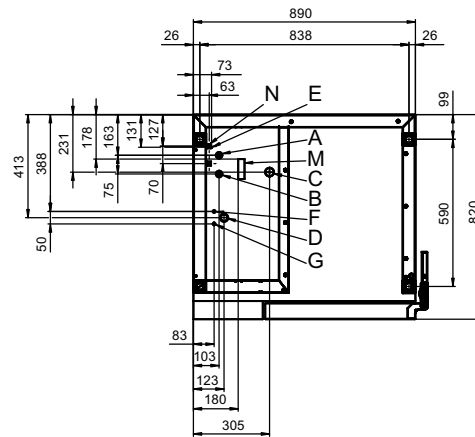
Accessories

- Production Management: KitchenConnect® (WiFi/LAN), network solution from Welbilt for updating and monitoring appliances from anywhere
- Signal tower – external operating-state indicator
- Banquet system (optionally as a package or individually): Plate loading trolley, loading trolley, thermal cover
- Care products for the ConvoClean+ fully automatic cleaning system (multiple and single-measure dispensing)

Front view

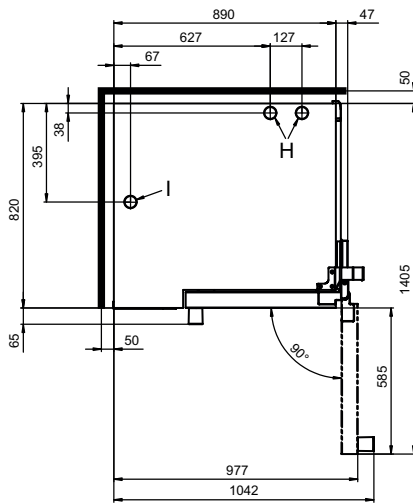


Connection points



- A Water connection (for water injection)
- B Water connection (for cleaning, recoil hand shower)
- C Drain connection DN 50
- D Electrical connection
- E Equipotential bonding
- F Rinse-aid connection
- G Cleaning-agent connection
- H Air vent Ø 50 mm
- I Dry air intake Ø 50 mm
- M Safety overflow 80 x 25 mm
- N RJ45 Ethernet port

View from above with wall clearances



Dimensions and weights

| Dimensions including packaging | |
|---|----------------------|
| Width x Height x Depth | 1165 x 2150 x 970 mm |
| Weight | |
| Empty weight without options* / accessories | 277 kg |
| Weight of packaging | 40 kg |
| Safety clearances** | |
| Rear | 50 mm |
| Right-hand side (disappearing door pushed back) | 160 mm |
| Left (see installation instructions) | 50 mm |
| Top*** | 500 mm |

Installation instructions

| | |
|--|-------------|
| Clearance from heat sources | min. 500 mm |
| Recommended clearance for service, left side of unit | min. 500 mm |

* Weight of options 15 kg max.

** Required for functionality of appliance.

*** Depends on type of air ventilation system and nature of ceiling.

Loading capacity

| | |
|--|--------|
| Max. number of food containers | |
| GN 1/1* | 20 |
| 600 x 400** baking tray | 17 |
| Plates max. Ø 32 cm, Ring spacing 66 mm** | 61 |
| Plates max. Ø 32 cm, Ring spacing 80 mm** | 50 |
| Maximum loading weight | |
| GN 1/1 / 600 x 400 | |
| Per combi oven | 100 kg |
| Per shelf level | 15 kg |

* Matching loading trolley included as standard.

** Matching loading trolley available as an accessory.

Electrical supply

| | |
|--|----------|
| 3N~ 400V 50/60Hz* | |
| Rated power consumption | 38.9 kW |
| Rated current | 56.2 A |
| Fuse rating | 63 A |
| RCD (GFCI), single-phase frequency converter | Type A/B |
| Recommended conductor cross-section | 5G16 |
| 3N~ 380V 60Hz | |
| Rated power consumption | 35.1 kW |
| Rated current | 53.3 A |
| Fuse rating | 63 A |
| RCD (GFCI), single-phase frequency converter | Type A/B |
| Recommended conductor cross-section | 5G16 |
| 3~ 230V 50/60Hz* | |
| Rated power consumption | 38.2 kW |
| Rated current | 96.0 A |
| Fuse rating | 100 A |
| RCD (GFCI), single-phase frequency converter | Type A/B |
| Recommended conductor cross-section | 4G35 |
| 3~ 200V 50/60Hz* | |
| Rated power consumption | 38.2 kW |
| Rated current | 110.4 A |
| Fuse rating | 125 A |
| RCD (GFCI), single-phase frequency converter | Type A/B |
| Recommended conductor cross-section | 4G50 |
| 3~ 400V 50/60Hz* | |
| Rated power consumption | 38.9 kW |
| Rated current | 56.2 A |
| Fuse rating | 63 A |
| RCD (GFCI), three-phase frequency converter | Type B |
| Recommended conductor cross-section | 5G16 |

* Connection to energy optimization system included as standard.

Water connection

| | |
|----------------------|--|
| Water supply | |
| Water supply* | 2 x G 3/4" fixed connection, optionally including connecting pipe (min. DN13 / 1/2") |
| Flow pressure | 150 - 600 kPa (1.5 - 6 bar) |
| Appliance drain | |
| Drain version | Open tank or channel/trough (recommended) or fixed connection |
| Type | DN 50 (min. internal Ø: 46 mm) |
| Slope for drain pipe | min. 3.5% (2°) |

* Install a backflow preventer approved by the manufacturer if stipulated by the relevant standards and regulations.

Water quality

| | |
|---|--|
| Water-supply connection A* for water injection | |
| General requirements | Drinking water, typically soft water (install water treatment system if necessary) |
| General hardness | 4 - 7 °dh / 70 - 125 ppm / 7 - 13 °TH / 5 - 9 °e |
| Water-supply connection B* for cleaning, recoil hand shower | |
| General requirements | Drinking water, typically hard water |
| General hardness | 4 - 20 °dh / 70 - 360 ppm / 7 - 35 °TH / 5 - 25 °e |
| Water-supply connections A, B* | |
| pH value | 6.5 - 8.5 |
| Cl ⁻ (chloride) | max. 60 mg/l |
| Cl ₂ (free chlorine) | max. 0.2 mg/l |
| SO ₄ ²⁻ (sulphate) | max. 150 mg/l |
| Fe (iron) | max. 0.1 mg/l |
| SiO ₂ (silicate) | max. 13 mg/l |
| NH ₂ Cl (monochloramine) | max. 0.2 mg/l |
| Temperature | max. 40 °C |
| Electrical conductivity | min. 20 µS/cm |

* See diagram of connection points, page 2.

Water consumption

| | |
|-------------------------------|-----------|
| Water-supply connection A* | |
| Ø Consumption for cooking | 8.1 l/h |
| Max. consumption | 0.8 l/min |
| Water-supply connections A, B | |
| Ø Consumption for cooking** | 12.2 l/h |
| Max. water flow rate | 15 l/min |

* Values for selecting the capacity of the water treatment system.

** Including water used for cooling the wastewater.

PLEASE NOTE: See diagram of connection points, page 2.

Emissions

| | |
|-------------------------|---------------------|
| Dissipated heat* | |
| Latent heat | 6900 kJ/h / 1.92 kW |
| Sensible heat | 8900 kJ/h / 2.47 kW |
| Waste water temperature | max. 80 °C |
| Noise during operation | max. 70 dBA |

* The dissipated heat values were measured as per DIN 18873-1 "Methods for measuring the energy use of equipment for commercial kitchens — Part 1". The type and frequency of appliance usage are decisive for the specification of an air conditioning and ventilation system. These values can be higher than the values indicated for dissipated heat. Guide values can be found in the technical literature, e.g. in VDI 2052. Please consult your specialized design engineer for planning an air conditioning and ventilation system.

Please observe the following points:

- This document is to be used solely for planning purposes.
- Please refer to the Installation manual for further technical data and guidance on installation and positioning.